

"A&B" TRIANGULATION DIAGRAM SHEET (LAKE FULL HOPPER)

CUSTOMER:		SHIP TO:	
ADDRESS/CITY:		ADDRESS/CITY:	
PROV:	POSTAL CODE:	PROV:	POSTAL CODE:
PH:	FAX:	PH:	FAX:

NOTE: If you are performing an "A&B" triangulation, please use the "A&B" Triangulation Measurement Sheet to fill out your "A&B" measurements.

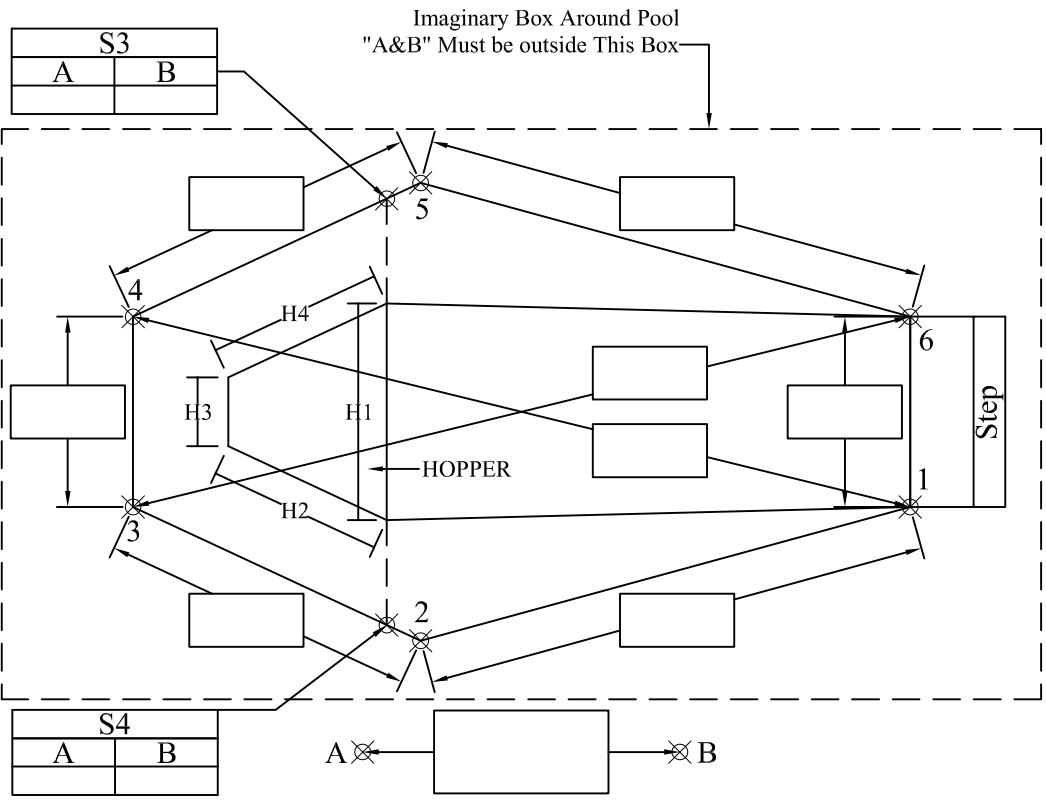
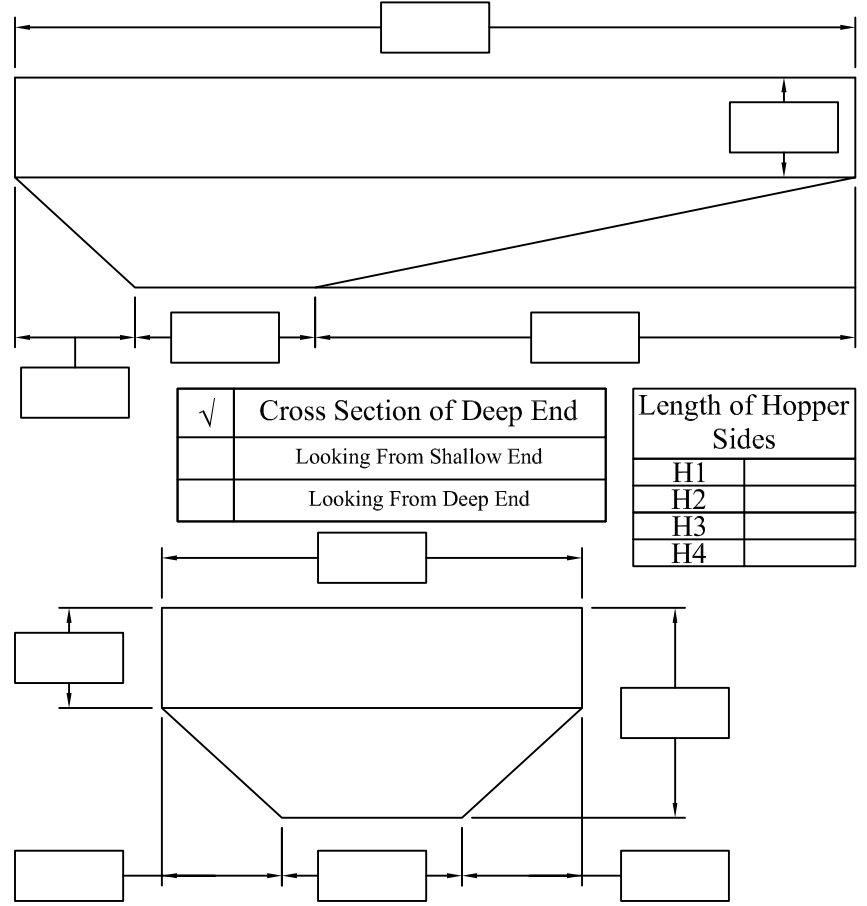
Date:	PO#:	Contact:	Contact # :	Contact # :
-------	------	----------	-------------	-------------

Tag:	Liner Pattern:
------	----------------

Wall Height:	Pool Depth:	Pool Perimeter:
--------------	-------------	-----------------

Note: If the Pool is square, it may not require an "A&B". If the pool is not square, it will be necessary to "A&B" the start & end of the straight walls. Be sure to establish the "S" points & Steps, if there are any. If the HOPPER is a different shape than the diagram, please include an illustration of the hopper, including the lengths of the hopper sides.
Be sure to fill in ALL measurement boxes.

Cross Section of Length





18 EASTON RD.
BRANTFORD ON.
N3P1J5 (519) 756 5071

"A - B" TRIANGULATION MEASUREMENT SHEET

Oct 2009

CUSTOMER:		SHIP TO:	
ADDRESS:		ADDRESS:	
CITY/PROV:		CITY/PROV:	
POSTAL CODE:		POSTAL CODE:	
PH:	FAX:	PH:	FAX:

INSTRUCTIONS

- Position 2 stakes "A & B" a minimum of 10' apart, & a minimum of 3' from the pools edge.
Note: "A&B" must be outside of the imaginary box around the pool. If "A&B" stakes are placed in a different location than that of the diagram sheet, please indicate their location.
- Mark off perimeter of the pool in 2' intervals starting at the steps, if there are any.
Note: It may be necessary to mark off short & reverse radiuses in less than 2' intervals to properly establish them.
- Define break points ("S"1,2,3,4) with measurements from "A&B".
- Use 2 tape measures at the same time, to establish points.
- Fill in all measurement boxes
- All measurements should be taken Horizontally & Vertically.
- All measurements should be rounded off to the nearest 1/4".
- If a specific location is preferred for the wall seam, please indicate it on the diagram, by notation or use a triangulation point.

Date:	PO# :	Contact:	Contact #(s):
-------	-------	----------	---------------

Tag:	Shape:	Liner Pattern:
------	--------	----------------

	A	B		A	B	DISTANCE BETWEEN			MEASUREMENT		
S1			S3			S1 TO S2					
S2			S4			S3 TO S4					
#	A	B	#	A	B	#	A	B	#	A	B
1			21			41			61		
2			22			42			62		
3			23			43			63		
4			24			44			64		
5			25			45			65		
6			26			46			66		
7			27			47			67		
8			28			48			68		
9			29			49			69		
10			30			50			70		
11			31			51			71		
12			32			52			72		
13			33			53			73		
14			34			54			74		
15			35			55			75		
16			36			56			76		
17			37			57			77		
18			38			58			78		
19			39			59			79		
20			40			60			80		